
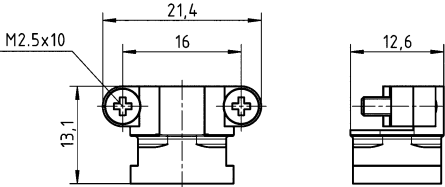



## Technical characteristics

Material (accessories)      Zinc die-cast  
RoHS                              compliant, compliant with exemption

## Details

09 14 000 9983, 61 03 000 0143 and 61 03 000 0148 only for modules with one cable entry!

Identification	Cable diameter (mm)	Part number	Drawing (dimensions in mm)
Cable clamp 	6 ... 10	09 14 000 9983	
Cable clamp, D-Sub 1 ... 4 	5 ... 7 7 ... 10 9 ... 12 11 ... 14	61 03 000 0141 61 03 000 0044 61 03 000 0143 61 03 000 0148	