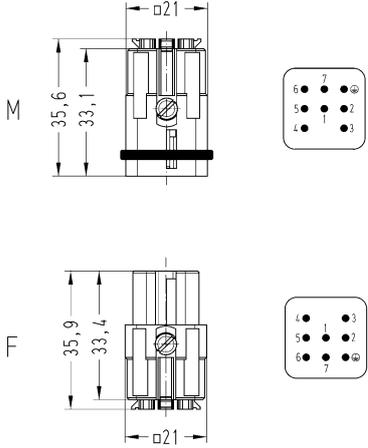
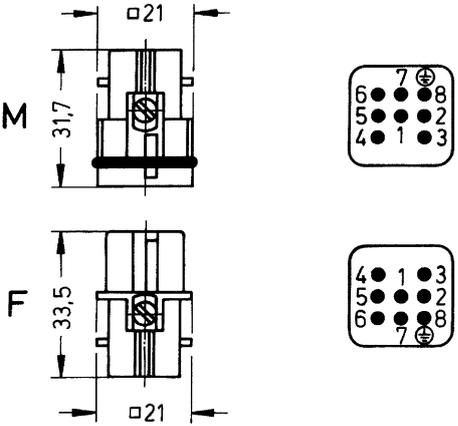


Number of contacts

# 7+

10 A 250 V 4 kV 3

Identification	Conductor cross-section (mm <sup>2</sup> )	Part number		Drawing (dimensions in mm)
		Male	Female	
<p>Han D®, Han-Quick Lock® termination, Contact surface: Silver plated</p>  <p>Only for thermoplastic hoods / housings</p>	0.25 ... 1.5	09 21 007 2632	09 21 007 2732	 <p>Contact arrangement (view from termination side)</p>
<p>Han D®, Crimp termination</p>  <p>Please order crimp contacts separately. Only for thermoplastic hoods / housings</p>	0.14 ... 2.5	09 21 007 3031	09 21 007 3131	 <p>Contact arrangement (view from termination side)</p>